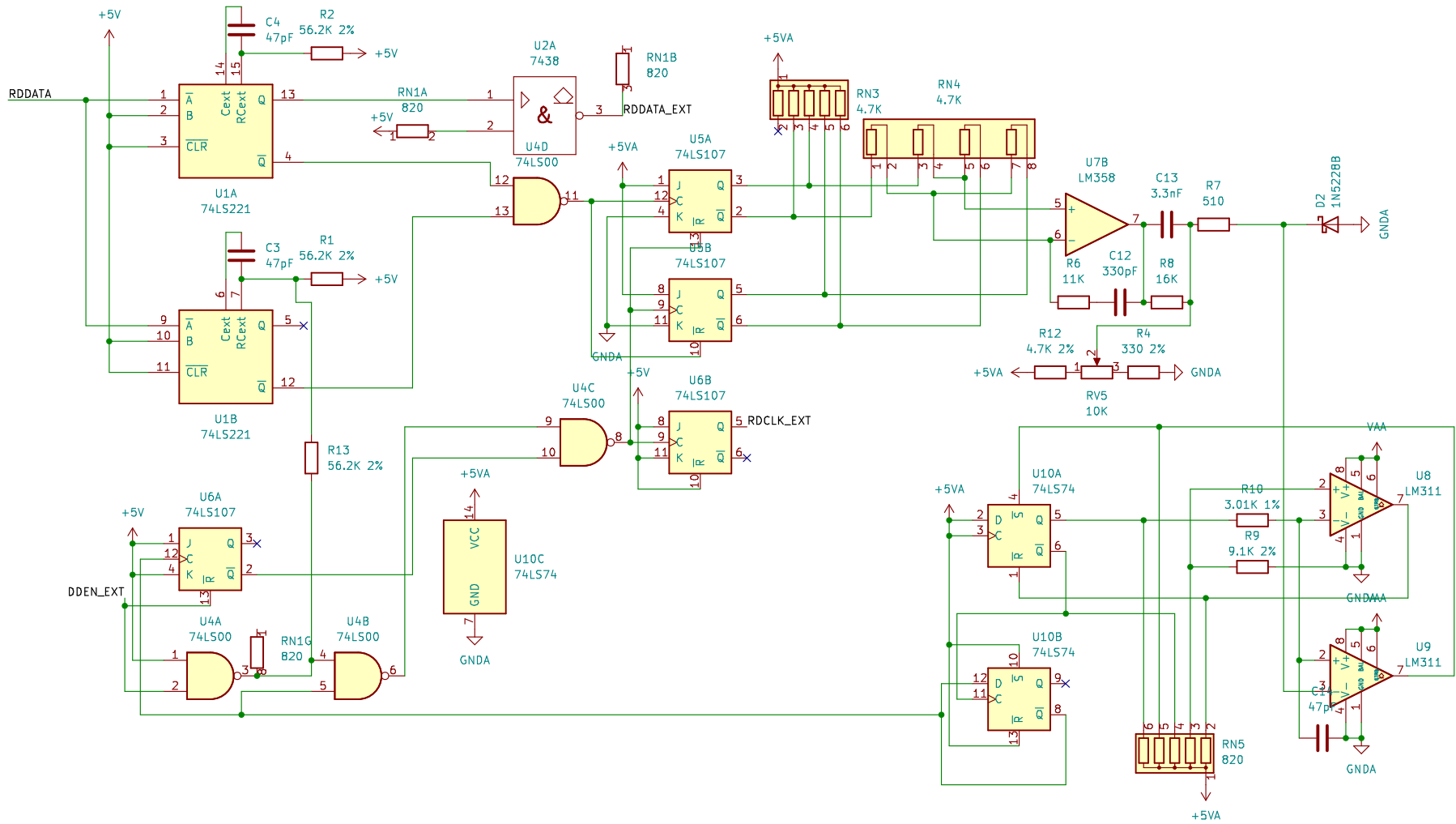


Sheet: /	
File: OCC1-DD-Remake_Remaster.kicad_sch	
Title:	
Size: A4	Date:
KiCad E.D.A. kicad 6.0.6+dfsg-1-bpo11+1	Rev: Id: 1/2



Sheet: /Page2_Analogue/
 File: Page2.kicad_sch

Title:

Size: A4

Date:

KiCad E.D.A. kicad 6.0.6+dfsg-1-bpo11+1

Rev:

Id: 2/2